

THIS DRAWING IS UNPUBLISHED. RELEASED FOR PUBLICATION 20
 © COPYRIGHT 20 BY TYCO ELECTRONICS CORPORATION. ALL RIGHTS RESERVED.

| LOC | DIST | REVISIONS | | | | | |
|-----|------|-----------|-----|-------------------------|-----------|-----|------|
| CE | 00 | P | LTR | DESCRIPTION | DATE | DWN | APVD |
| | | | K | REVISE PER 0A00-0323-04 | 07JUL2004 | BB | SB |
| | | | L | REVISE PER 0A00-0538-04 | 15NOV2004 | BB | SM |

1 MATERIAL:
 PROTECTIVE COVER: LDPE, BLACK, NON-FR.
 CONNECTOR HOUSING: PBT-GF17, COLOR: SEE TABLE.*
 CONNECTOR SUBASSEMBLY:
 PLUG BODY: PES-GF20, COLOR: BEIGE.*
 FERRULE ASSEMBLY: CERAMIC/PBT-GF17, COLOR: BLUE.*
 EPOXY-FILL TUBING: PTFE, COLOR: CLEAR, UL VW-1 RATED.
 SPRING: STAINLESS STEEL.
 RETAINER BODY: PES-GF20, COLOR: BEIGE.*
 CRIMP EYELET: TIN PLATED COPPER.
 BOOT: TPE, COLOR: BLUE.*
 *UL94 V-0 RATED AT QUALIFYING THICKNESS.

2 BULK PACKAGE.
 3. 3.0mm KIT FOR USE WITH "LOOSE-JACKETED" CABLE.
 4 NO AMP LOGO.
 5 CONTAINS NO EYELET.

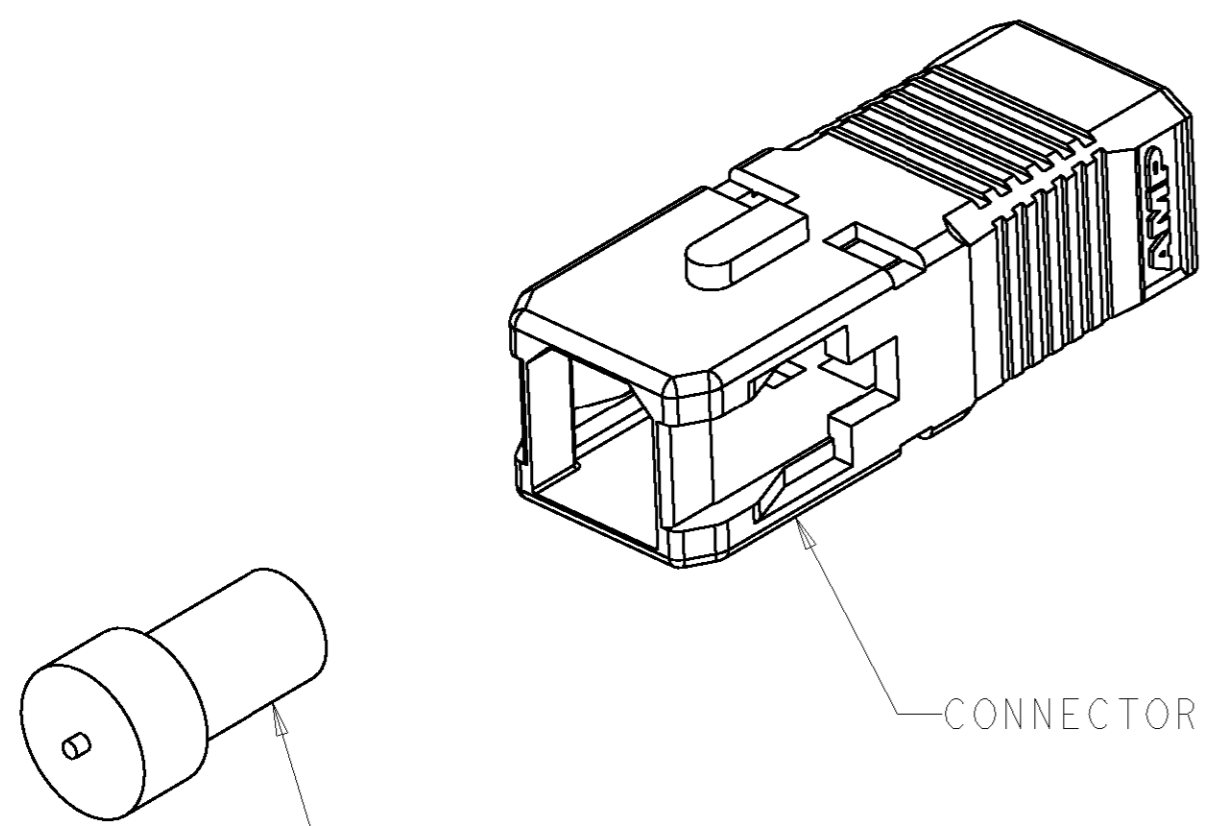
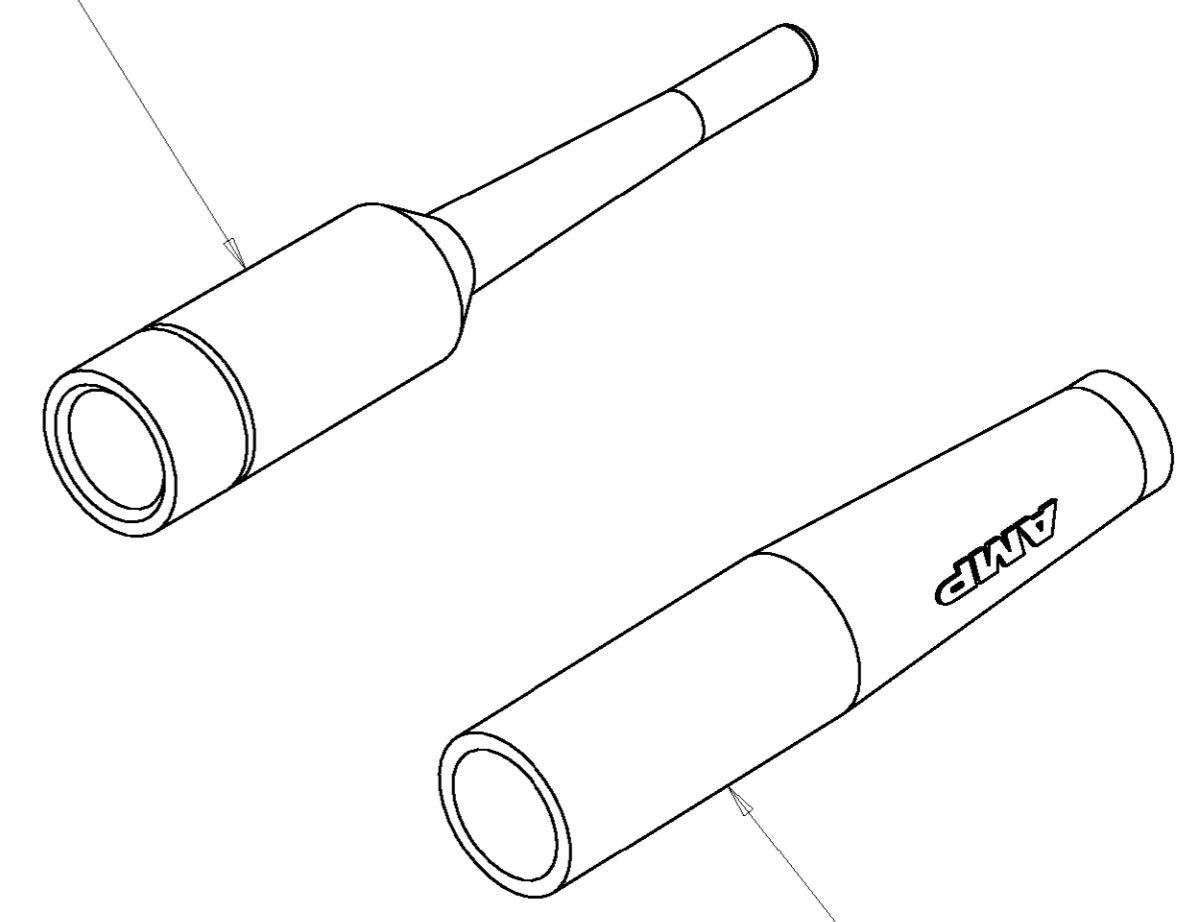
BOOT, BARE BUFFER

CRIMP EYELET

CONNECTOR SUBASSEMBLY

CONNECTOR HOUSING

PROTECTIVE COVER



| | | | |
|-------------------------|------|-----------------|-------------|
| 2 | RED | NONE | 504646-9 |
| 4 2 | BLUE | 3.0mm | 504646-8 |
| 5 | BLUE | 3.0mm AND 900um | 504646-7 |
| 2 | BLUE | NONE | 504646-6 |
| 2 | BLUE | NONE | 504646-5 |
| 2 | BLUE | 3.0mm | 504646-4 |
| 2 | BLUE | 3.0mm | 504646-3 |
| | BLUE | 3.0mm | 504646-2 |
| | BLUE | 3.0mm | 504646-1 |
| CONNECTOR HOUSING COLOR | | BOOT | PART NUMBER |

THIS DRAWING IS A CONTROLLED DOCUMENT FOR TYCO ELECTRONICS CORPORATION. IT IS SUBJECT TO CHANGE AND THE CONTROLLING ENGINEERING ORGANIZATION SHOULD BE CONTACTED FOR THE LATEST REVISION.

| | | | | | | |
|---------------|---|-----------|---|-----------|------------|---------------|
| DWN | B. BRIGGS | 07JUL2004 | Tyco Electronics Harrisburg, PA 17105-3608 | | | |
| CHK | S. BUCHTER | 07JUL2004 | | | | |
| APVD | S. BUCHTER | 07JUL2004 | | | | |
| NAME | AMP SC, SINGLEMODE CONNECTOR KIT, 900um AND 3.0mm | | | | | |
| DIMENSIONS: | TOLERANCES UNLESS OTHERWISE SPECIFIED: | | SIZE | CAGE CODE | DRAWING NO | RESTRICTED TO |
| mm [INCHES] | 0 PLC ± | ± | A2 | 00779 | 504646 | - |
| | 1 PLC ± | ± | SCALE | 4.1 | SHEET | OF |
| | 2 PLC ± | ± | WEIGHT | - | REV | L |
| | 3 PLC ± | ± | CUSTOMER DRAWING | | | |
| | 4 PLC ± | ± | | | | |
| | ANGLES | ± | | | | |
| | FINISH | - | | | | |